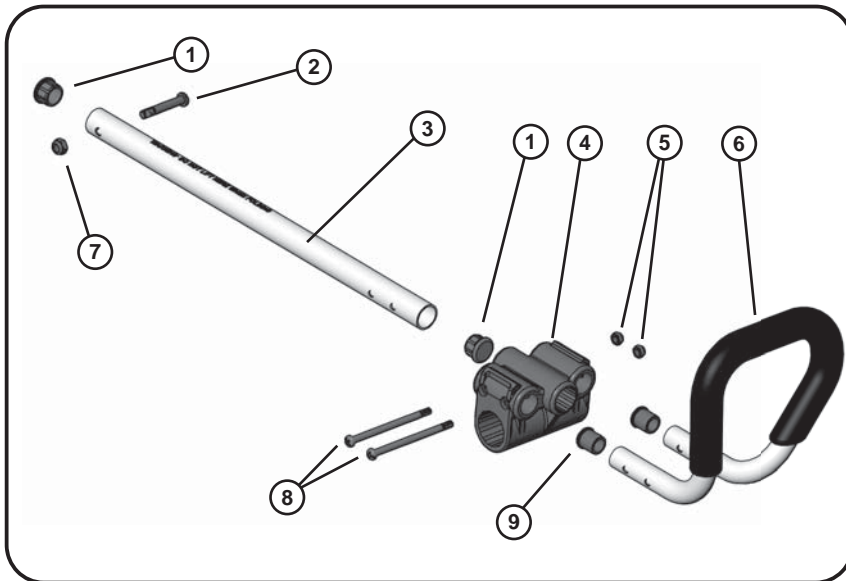


CLICGEAR PARTS POLICY

The drawings contained in this user guide are here to assist in the ordering of replacement parts and to clarify parts for warranty purposes. Every effort will be made to keep this manual current with design changes and modifications to the Clicgear Cart. The model number of your cart is important in communicating with Clicgear about your cart. Please have it ready before contacting us.

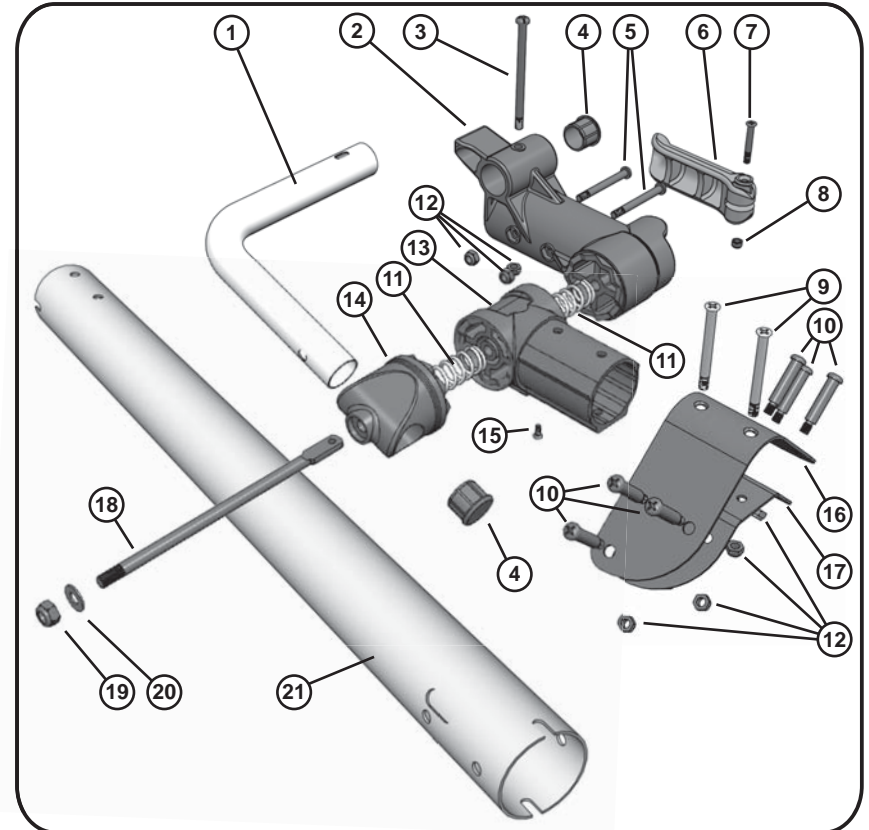
MODEL
1.0

PARTS - LOWER BAG SADDLE ASSEMBLY



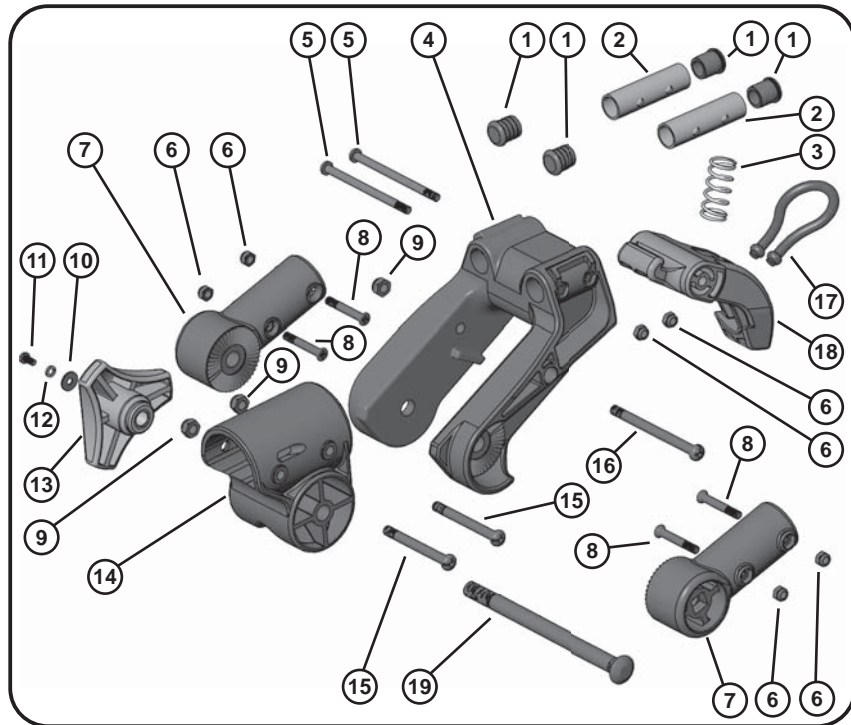
- | | |
|--------------------|----------------------|
| 1 19mm END PLUG | 2 M6 X 37mm BOLT |
| 3 LOWER HINGE TUBE | 4 LOWER SADDLE BLOCK |
| 5 M5 NYLOCK NUT | 6 BAG BOTTOM SUPPORT |
| 7 M6 NYLOCK NUT | 8 M5 X 74mm BOLT |
| 9 16mm END PLUG | |

PARTS - HINGE ASSEMBLY



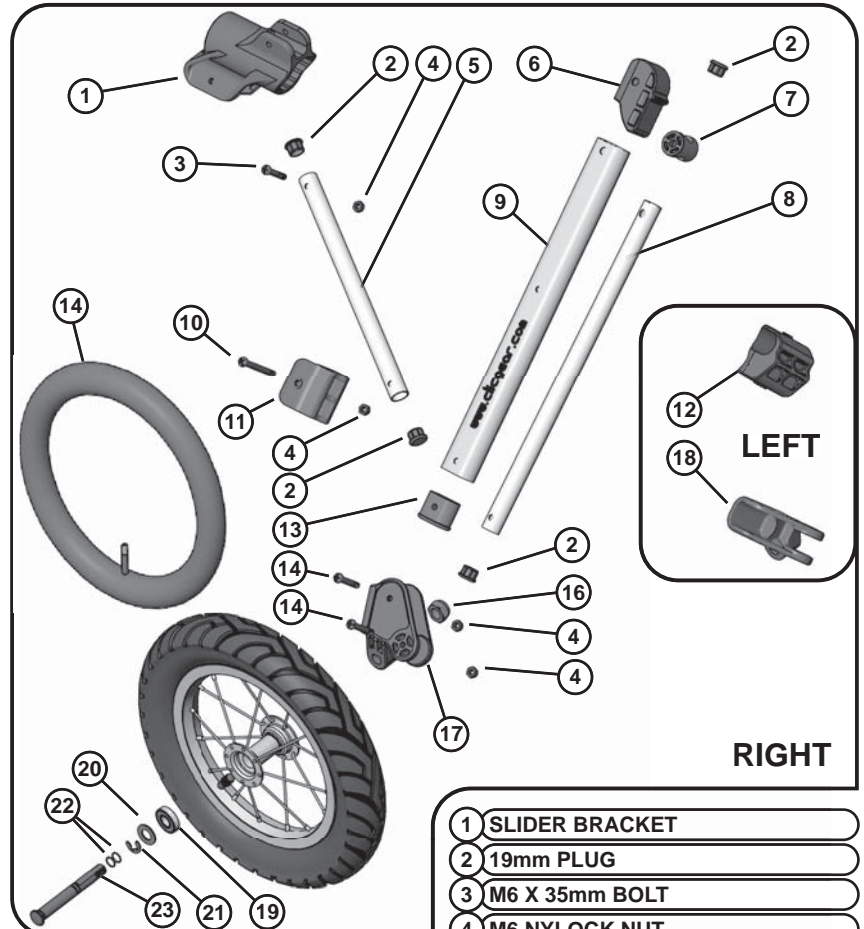
- | | |
|-----------------------|--------------------------|
| 1 BRACE PIPE | 2 LOWER HINGE ARM MOUNT |
| 3 M6 X 86mm BOLT | 4 25mm END PLUG |
| 5 M6 X 56mm BOLT | 6 LEVER |
| 7 M5 X 34mm CSK BOLT | 8 M5 NYLOCK NUT |
| 9 M6 X 62mm CSK BOLT | 10 M6 STRUT BOLTS |
| 11 SPRING 20mm X 45mm | 12 M6 NYLOCK NUT |
| 13 LOWER HINGE CENTER | 14 LOWER HINGE CAP |
| 15 M4 X 10mm CSK BOLT | 16 TOP STRUT PLATE |
| 17 LOWER STRUT PLATE | 18 M8 X 188mm HINGE BOLT |
| 19 M8 NYLOCK NUT | 20 M8 WASHER |
| 21 MAIN TUBE | |

PARTS - UPPER SADDLE ASSEMBLY



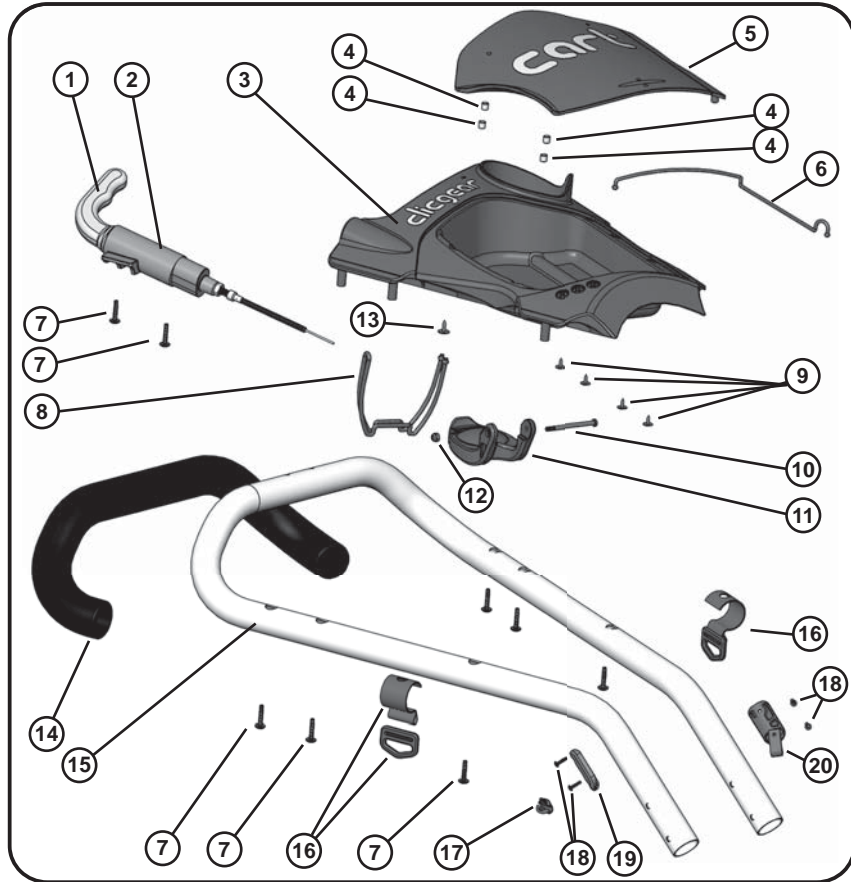
- | | |
|---------------------------|----------------------|
| 1 16mm END PLUG | 2 SADDLE PIN TUBE |
| 3 SPRING 16mm X 35mm | 4 SADDLE PIVOT |
| 5 M5 X 74mm BOLT | 6 M6 NYLOCK NUT |
| 7 HANDLE PIVOT | 8 M5 X 34mm CSK BOLT |
| 9 M6 NYLOCK NUT | 10 M4 WASHER |
| 11 M4 X 8mm BOLT | 12 M4 LOCK WASHER |
| 13 KNOB | 14 HINGE PIVOT |
| 15 M6 X 56mm BOLT | 16 M6 X 75mm BOLT |
| 17 STRING LOOP | 18 HOOK |
| 19 M10 X 140mm HINGE BOLT | |

PARTS - WHEEL STRUT ASSEMBLY



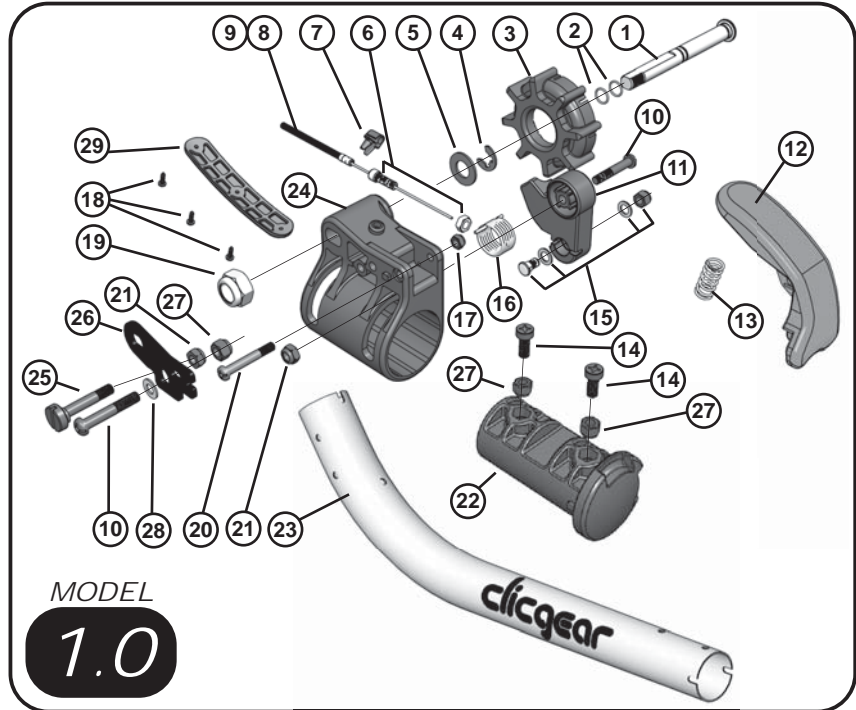
- | | |
|----------------------------|---------------------------|
| 5 STRUT PUSH ROD TUBE | 1 SLIDER BRACKET |
| 7 SECOND STRUT TOP SUPPORT | 2 19mm PLUG |
| 9 MAIN STRUT TUBE | 3 M6 X 35mm BOLT |
| 11 RIGHT STRUT BRACKET | 4 M6 NYLOCK NUT |
| 13 MAIN STRUT END PLUG | 6 MAIN STRUT TOP PLUG |
| 15 M6 X 40mm BOLT | 8 SECONDARY STRUT TUBE |
| 17 RIGHT LOWER STRUT PIVOT | 10 M6 X 60mm BOLT |
| 19 BEARING | 12 LEFT STRUT BRACKET |
| 21 M12 C-CLIP | 14 TUBE |
| 23 12mm X 99mm REAR AXLE | 16 M12 NYLOCK NUT |
| | 18 LEFT LOWER STRUT PIVOT |
| | 20 M12 WASHER |
| | 22 M12 O-RING |

PARTS - HANDLE ASSEMBLY



- | | |
|---------------------------|---------------------------|
| 1 BRAKE HANDLE | 2 BRAKE CYLINDER |
| 3 TRAY | 4 6mm MAGNET |
| 5 TRAY LID | 6 TRAY LID ELASTIC CORD |
| 7 ST4.0 X 18mm PA SCREW | 8 CUP HOLDER ELASTIC CORD |
| 9 ST2.6 X 8mm PWA SCREW | 10 M4 X 48mm BOLT |
| 11 CUP HOLDER | 12 M4 NYLOCK NUT |
| 13 ST3.0 X 10mm PWA SCREW | 14 HANDLE FOAM |
| 15 HANDLE TUBE | 16 TOWEL HOOK C/W STRAP |
| 17 CABLE HOLDER 25mm TUBE | 18 ST3.0 X 10mm PA SCREW |
| | 19 HANDLE GUARD (RIGHT) |
| | 20 HANDLE GUARD (LEFT) |

PARTS - FRONT WHEEL PIVOT

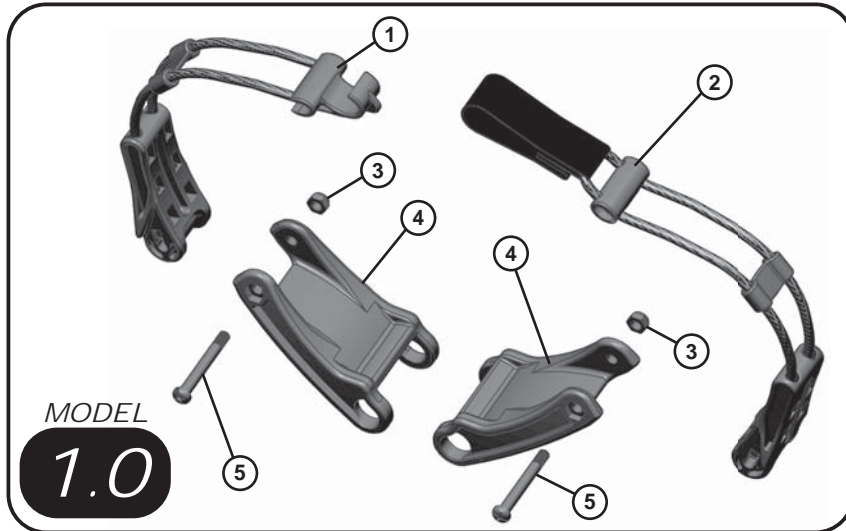


MODEL

1.0

- | | |
|---------------------------|------------------------------|
| 1 12mm X 113mm FRONT AXLE | 2 M12 O-RING |
| 3 BRAKE GEAR | 4 M12 C-CLIP |
| 5 M12 WASHER | 6 CABLE ADJUST NUT AND BOLT |
| 7 CABLE HOLDER 45mm TUBE | 8 BRAKE CABLE SHEATH |
| 9 BRAKE CABLE | 10 M6 X 35mm BOLT |
| 11 BRAKE HAMMER | 12 FRONT WHEEL LOCK |
| 13 SPRING 12mm X 27mm | 14 M6 X 15mm BOLT PIVOT STOP |
| 15 CABLE NUT ASSEMBLY | 16 BRAKE SPRING 22mm X 12mm |
| 17 M5 NYLOCK NUT | 18 ST3.0 X 10mm PA SCREW |
| 19 M12 NYLOCK NUT | 20 M5 X 34mm BOLT |
| 21 M6 NYLOCK NUT | 22 WHEEL PIVOT PLUG |
| 23 FRONT TUBE | 24 WHEEL PIVOT |
| 25 M6 WHEEL ADJUST SCREW | 26 WHEEL ADJUST PLATE |
| 27 M6 NYLOCK ANCHOR NUT | 28 M6 WASHER |
| 29 TUBING GUARD | |

PARTS - BAG STRAP ASSEMBLY



- 1 BAG STRAP HOOK SIDE
- 2 BAG STRAP PIN SIDE
- 3 M6 NYLOCK NUT
- 4 SADDLE
- 5 M6 X 48mm BOLT

PARTS - ACCESSORY MOUNT & PUMP

- 6 UMBRELLA MOUNT
- 7 M5 X 40mm BOLT
- 8 TOP MOUNT
- 9 BOTTOM MOUNT
- 10 M5 NYLOCK NUT
- 11 PUMP
- 12 PUMP TUBE

